

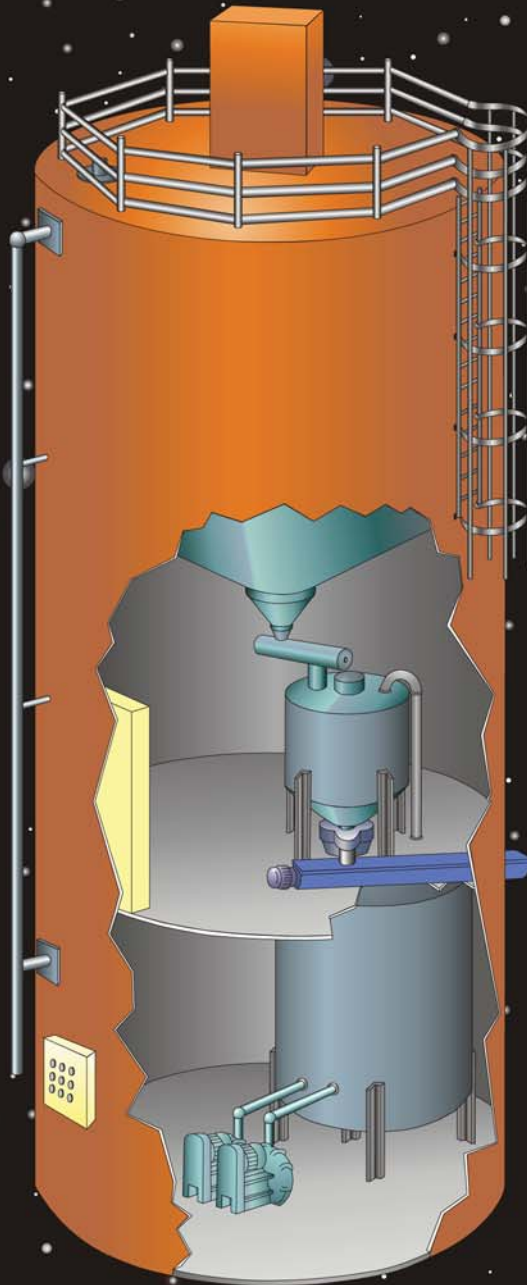
SLAKING SYSTEM MEETS



series

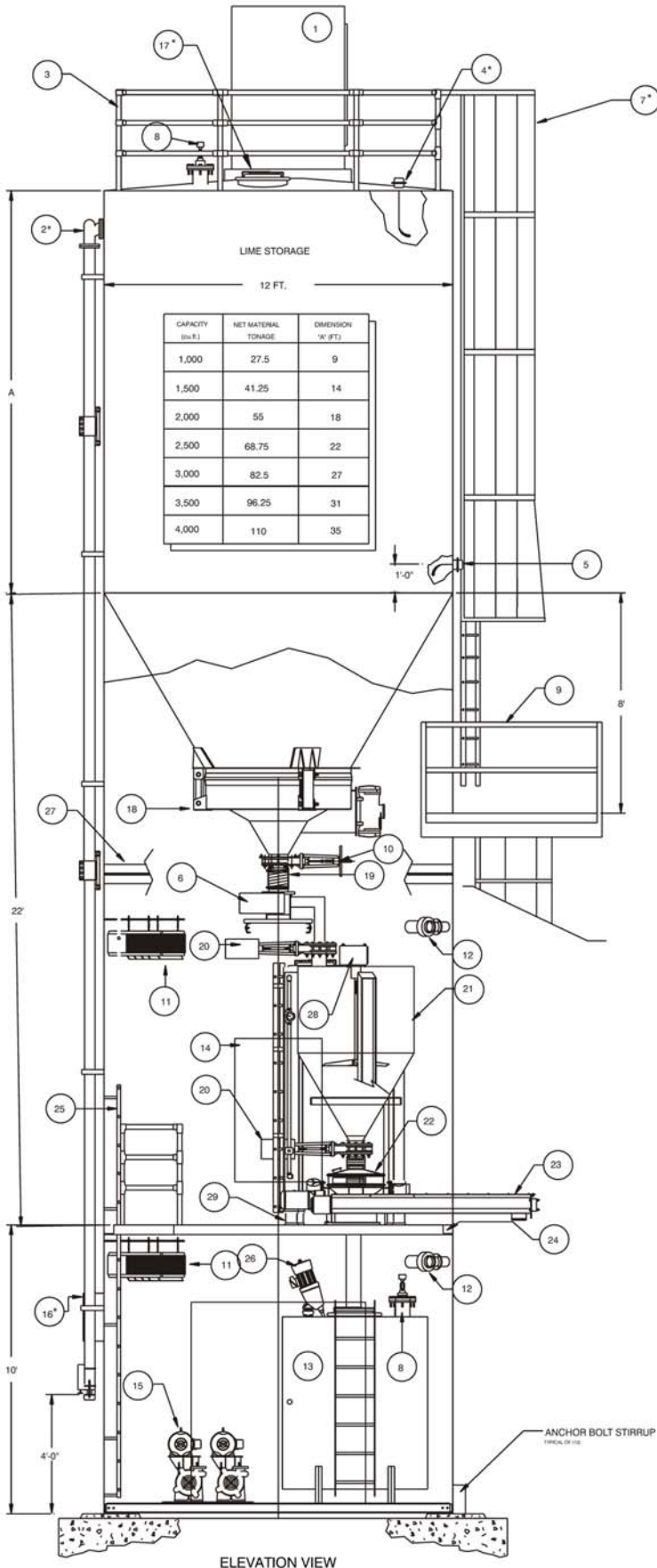
950

BATCH-TYPE SLAKING SYSTEM



- ▶ Reliable And Long-Wearing Vortice Elbow on Fill Pipe.
- ▶ 12' Diameter Skirted Silo - No Building Required!
- ▶ Accurate Ultrasonic Silo Volume Monitoring.
- ▶ Vibrating Bin Activator Proven In Thousands Of Installations.
- ▶ Volumetric Screw Feeder With Speed Control.
- ▶ Slaking Vessel Controlled With Load Cells To Maintain Concentration Settings:
- ▶ Positive And Effective Aspirator Eliminates Dusting Problems.
- ▶ 700 Gallon Slurry Holding Tank (With Mixer) Level Monitored By Load Cells Or Ultrasonic.
- ▶ Standard Equipment Includes Two Centrifugal Pumps For Redundancy and Reliability.
- ▶ Graphic Display Panel With PLC Allows Precise Control of Slurry Concentration.

TYPICAL SELF-CONTAINED SKIRTED SILO SYSTEM



NO.	QTY.	DESCRIPTION
1	1	Dust Filter
2	1	Vortice Elbow/Fill Pipe
3	1	Handrail Assembly
4	1	High Bin Indicator
5	1	Low Bin Indicator
6	1	Volumetric Feeder
7	1	Access Ladder w/cage
8	2	Ultrasonic Level Ind.
9	1	Transfer Platform
10	1	Hand Wheel Knife Gate
11	2	Heater
12	2	Exhaust Fan
13	1	Slurry Tank w/ladder
14	1	Control Panel
15	2	Slurry Pumps
16	1	Fill Panel
17	1	Inspection Manway Relief Valve
18	1	Bin Activator
19	4	Flexible Connection
20	2	Pneumatic Knife Gate
21	1	Model 900 Slaker
22	1	Grit Screen
23	1	Grit Screw
24	1	4" Perimeter Gutter
25	1	Slaker Level Access
26	1	Slurry Tank Mixer
27	1	Shop Splice
28	1	Slaker Agitator
29	3	Slaker Load Cells



Website: www.zmiportec.com

1102 EGRET DR., P.O. BOX 274 - SIBLEY, IA 51249
PH: 712-754-2595 FAX: 712-754-3607