

ITEM	QTY	PART NO.	DESCRIPTION	WEIGHT
1	1		DUST FILTER DF-48	
2	1		MANWAY 24" W/ PRV	
3	2		BIN LEVEL INDICATORS (1 HIGH, 1 LOW)	
4	1		CHEM. HOUSE (12'-0" X 12'-8" X 27'-0")	
5	*		FILL PIPE W/ VORTICE ELBOW	
6	1		LEFT HAND DOUBLE DOOR ASSEMBLY	
7	1		GRIT SCREEN (6" DIA)	
8	1		DAYTON EXHAUST FAN (BOX TYPE)	
9	*		MAIN CONTROL PANEL & POWER PANEL	
10	2		SLURRY TANK MIXERS	
11	1		SLURRY TANK (1500 GAL)	
12	2		SLURRY PUMPS (WARMAN)	
13	*		LADDERS & GAGES (PAINTED C.S.)	
14	*		HANDRAIL ON TOP OF BUILDING (PAINTED C.S.)	
15	2		M-15 SLAGERS (L.H. & R.H.)	
16	*		HANDRAIL ON SLURRY TANK (PAINTED C.S.)	
17	2		GRIT SCREEN (24" T.E.A.)	
18	4		FLUORESCENT LIGHTS (ATTACHED TO CEILING)	
19	1		HEATER	
20	1		ACCESS DOOR ON SLURRY TANK (24" X 24")	
21	1		ULTRASONIC LEVEL CONTROL	
22	1		FILL PANEL	
23	1		TRANSFER PLATFORM (PAINTED C.S.)	
24	1		BIN ACTUATOR (12 X 5")	
25	1		KNIFE GATE	
26	1		WYE TRANSITION	
27	2		ELEPHANT TRUNK HOSE	
28	2		VOLUMETRIC FEEDER	
29	1		HANDRAIL ON TOP OF SILO (PAINTED C.S.)	

NOTICE

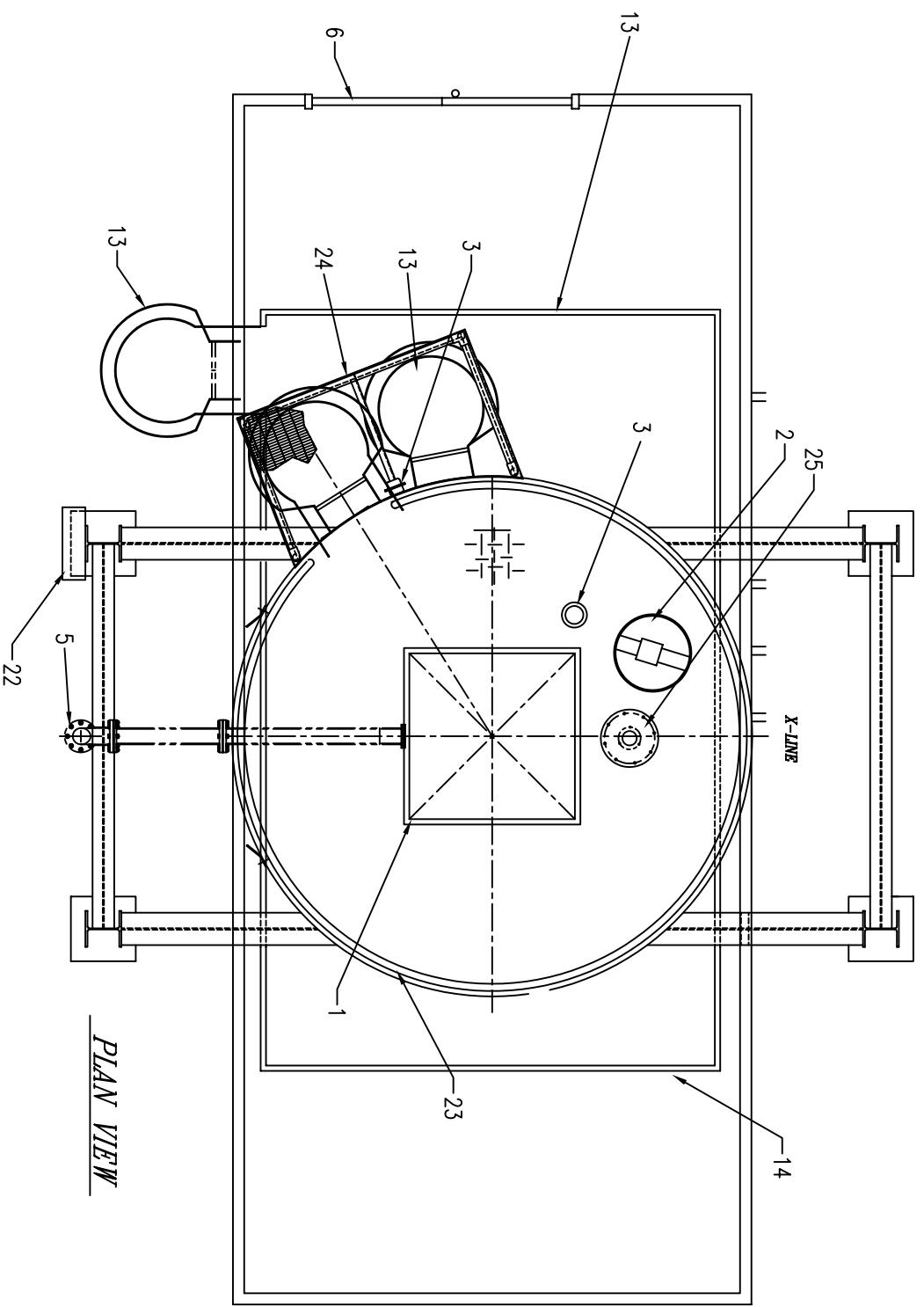
THIS PRINT IS THE PROPERTY OF ZMI AND IS SUBJECT TO NOT BE USED IN ANY WAY DETRIMENTAL TO THEIR INTEREST.

TOLERANCES - UNLESS NOTED BETWEEN FINISH SURFACES: FRACTIONAL: + .010 DECIMAL: + 1/16"

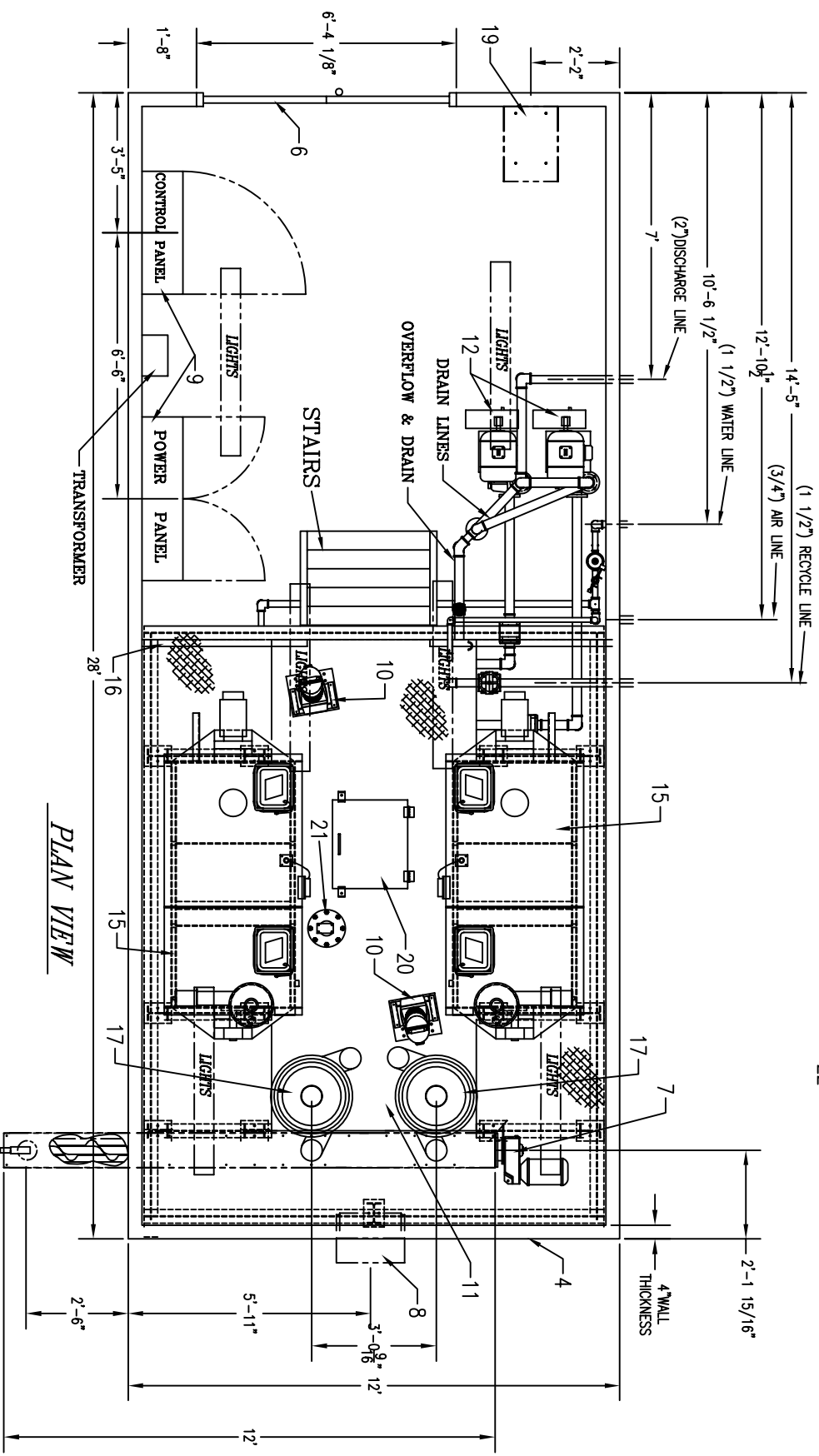
ZMI / PORTEC CHEMICAL PROCESSING PRODUCTS
P.O. BOX 274, SIBLEY IOWA 61849

DATE: 4/23/03
DRAWN: BALL
CHECKED: []
APPROVED: []
L.D. STD
P.K.

GENERAL ARRANGEMENT TOP VIEW
860-Q14H (2) M-15 SLAGERS
12'-0" SILO WITH CHEM HOUSE
DRAWING NUMBER: 303240-1-D
SCALE: 3/8"=1'



PLAN VIEW



PLAN VIEW

ITEM	QTY	PART NO	DESCRIPTION	WEIGHT
1	1		DUST FILTER DF-48	
2	1		MANWAY 24" W/PRV	
3	2		BIN LEVEL INDICATORS (1 HIGH, 1 LOW)	
4	1		CHEM. HOUSE (12'-0" X 12'-8" X 28'-0")	
5	*		FILL PIPE W/ VORTICE ELBOW	
6	1		LEFT HAND DOUBLE DOOR ASSEMBLY	
7	1		GRIT SCREW (6" DIA)	
8	1		DAYTON EXHAUST FAN (BOX TYPE)	
9	*		MAIN CONTROL PANEL & POWER PANEL	
10	2		SLURRY TANK MIXERS	
11	1		SLURRY TANK (1500 GAL)	
12	2		SLURRY PUMPS (WARMAN)	
13	*		LADDERS & CAGES (PAINTED C.S.)	
14	*		HANDRAIL ON TOP OF BUILDING (PAINTED C.S.)	
15	2		M-15 SLAKERS (R.H. & L.H.)	
16	*		HANDRAIL ON WORK PLATFORM (PAINTED C.S.)	
17	2		GRIT SCREEN (24" T.E.A.)	
18	*		LIGHTS (ATTACHED TO CEILING)	
19	1		HEATER	
20	1		ACCESS DOOR ON SLURRY TANK (24" X 24")	
21	1		ULTRASONIC LEVEL CONTROL	
22	1		FILL PANEL	
23	1		HANDRAIL ON TOP OF SILO (PAINTED C.S.)	
24	1		TRANSFER PLATFORM (PAINTED C.S.)	
25	1		EASY AMER LEVEL INDICATOR	

NOTICE
THIS PRINT IS THE PROPERTY OF ZMI AND IS SUBJECT TO RECALL TO BE USED IN ANY WAY DETERMINED TO THEIR INTEREST.

TOLERANCES - UNLESS NOTED
BETWEEN FINISH SURFACES:
FRACTIONAL: + .010
DECIMAL: + .010
DETAIL DIMENSIONS: + 1/16"

NO	REVISION AND PART NUMBER	DATE	BY

ZMI / PORTEC CHEMICAL PROCESSING PRODUCTS
P.O. BOX 274, SIBLER IOWA 51849

DATE	BY	DESCRIPTION
4/23/03	BAL	CHECKED
		APPROVED

GENERAL ARRANGEMENT TOP VIEW
850-04H (2) M-15 SLAKERS
12'-0" SILO WITH CHEM HOUSE
DRAWING NUMBER: 303240-2-D
SCALE: 1/2"=1'-0"